



THBT15011, THBT20011, THBT27011

Tripolar overvoltage protection for telecom line

Features

- Bidirectional crowbar protection between tip and gnd, ring and gnd and between tip and ring
- Peak pulse current:
 $I_{PP} = 30 \text{ A}$ for 10/1000 μs surge
- Holding current: $I_H = 150 \text{ mA}$

Complies with Telcordia standards

- Telcordia GR-1089-Core, (second level) with line series resistors
 - 10/1000 μs , 1000 V
 - 2/10 μs , 2500 V (first level)
 - 2/10 μs , 5000 V

Description

Dedicated to telecommunication equipment protection, these devices provide a triple bidirectional protection function.

They ensure the same protection capability with the same breakdown voltage both in longitudinal mode and transversal mode.

A particular attention has been given to the internal wire bonding. The "4-point" configuration ensures a reliable protection, eliminating overvoltages introduced by the parasitic inductances of the wiring (Ldi/dt), especially for very fast transient overvoltages.

Dynamic characteristics have been defined for several types of surges, in order to meet the SLIC maximum ratings.

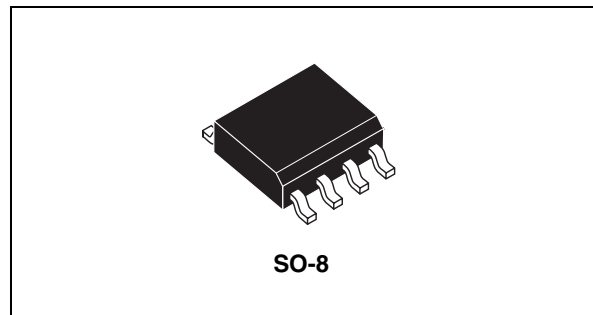
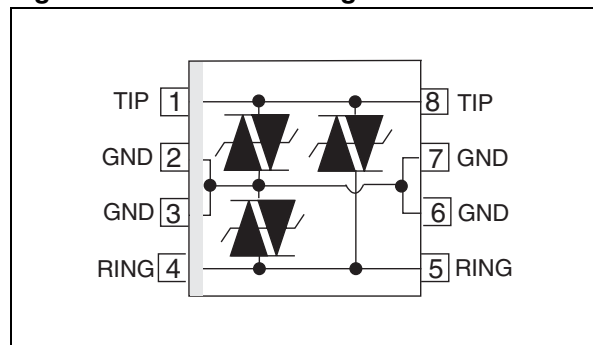


Figure 1. Schematic diagram



1 Characteristics

Table 1. Absolute maximum ratings ($T_{amb} = 25\text{ }^{\circ}\text{C}$)

Symbol	Parameter	Value	Unit
I_{PP}	Peak pulse current ⁽¹⁾	10 / 1000 μs	A
I_{TSM}	Non repetitive surge peak on-state current ($F = 50\text{ Hz}$)	$t_p = 10\text{ ms}$ $t = 1\text{ s}$	A
T_{stg}	Storage temperature range	- 40 to + 150	$^{\circ}\text{C}$
T_j	Maximum junction temperature	150	$^{\circ}\text{C}$
T_L	Maximum lead temperature for soldering during 10s	260	$^{\circ}\text{C}$

1. For pulse waveform see [Figure 2](#)

Figure 2. Pulse waveform 10/1000 μs , $t_r = 10\text{ }\mu\text{s}$, $t_p = 1000\text{ }\mu\text{s}$

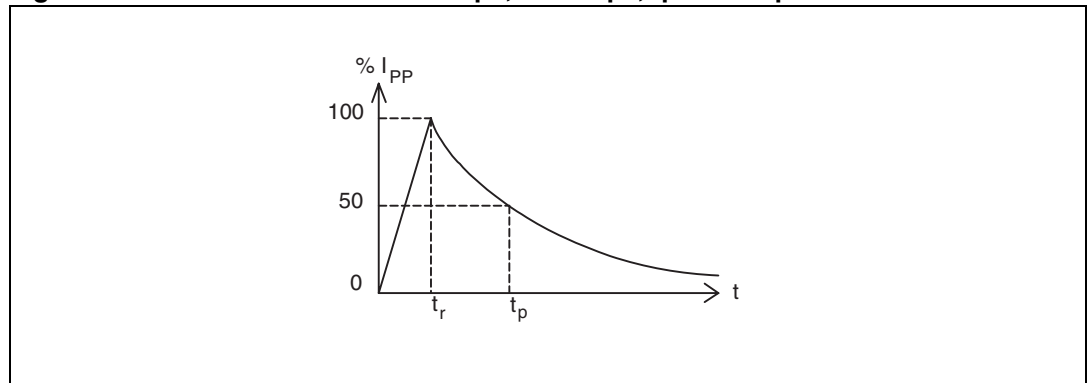


Figure 3. Test circuit for I_{pp}

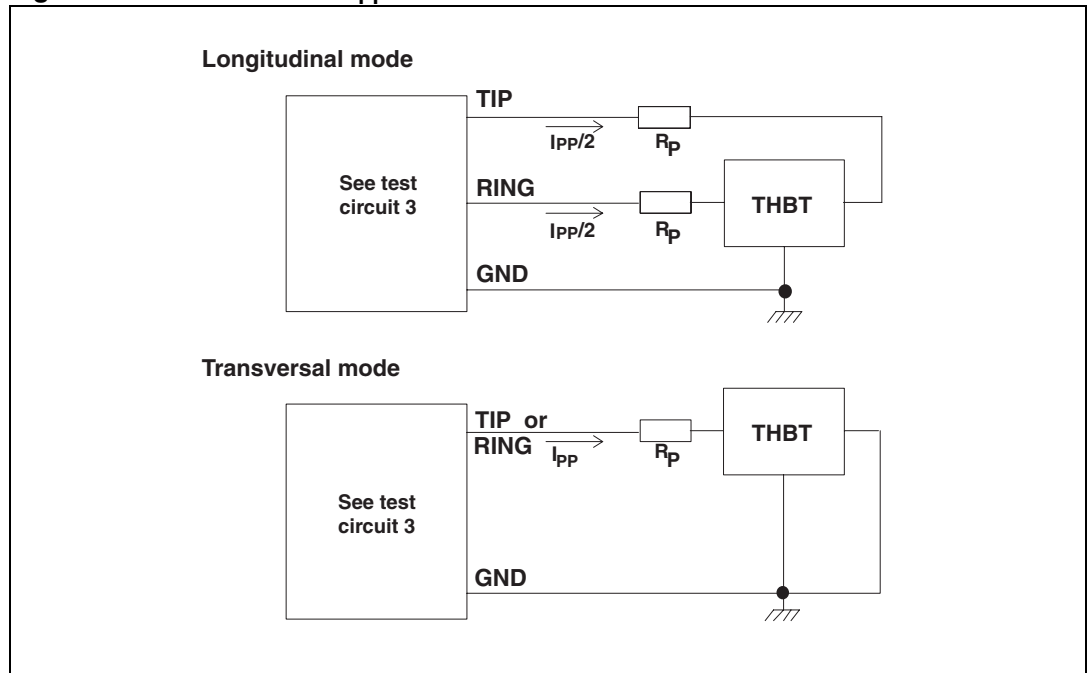


Table 2. Thermal resistance

Symbol	Parameter	Value	Unit
$R_{th(j-a)}$	Junction to ambient	170	$^{\circ}C/W$

Table 3. Electrical characteristics ($T_{amb} = 25^{\circ}C$)

Symbol	Parameter
V_{RM}	Stand-off voltage
I_{RM}	Leakage current at stand-off voltage
V_R	Continuous reverse voltage
V_{BR}	Breakdown voltage
V_{BO}	Breakover voltage
I_H	Holding current
I_{BO}	Breakover current
V_F	Forward voltage drop
I_{PP}	Peak pulse current
C	Capacitance

Table 4. Static parameters

Type	$I_{RM} @ V_{RM}$ max.		$I_R @ V_R$ max. (1)		$V_{BO} @ I_{BO}$ max. min. (2)		I_H min. (3)	C max. (4)	
	μA	V	μA	V	V	V	mA	pF	
	THBT15011D	5	135	50	150	210	50	400	150
THBT20011D	5	180	50	200	290	50	400	150	80
THBT27011D	5	240	50	270	380	50	400	150	80

- I_R measured at V_R guarantee $V_{BR} min \geq V_R$
- Measured at 50 Hz (1 cycle) - See test circuit 1 (Figure 4).
- See the reference test circuit 2 (Figure 5).
- $V_R = 1 V$ bias, $V_{RMS} = 1 V$, $F = 1 MHz$.

Table 5. Dynamic breakover voltages (transversal mode)

Type	Symbol	Test conditions ⁽¹⁾				Max	Unit
THBT15011D	V_{BO}	10/700 μ s	1.5kV	$R_p=10\Omega$	$I_{pp}=30A$	190	V
		1.2/50 μ s	1.5kV	$R_p=10\Omega$	$I_{pp}=30A$	190	
		2/10 μ s	2.5kV	$R_p=62\Omega$	$I_{pp}=38A$	200	
THBT20011D	V_{BO}	10/700 μ s	1.5kV	$R_p=10\Omega$	$I_{pp}=30A$	270	V
		1.2/50 μ s	1.5kV	$R_p=10\Omega$	$I_{pp}=30A$	270	
		2/10 μ s	2.5kV	$R_p=62\Omega$	$I_{pp}=38A$	280	
THBT27011D	V_{BO}	10/700 μ s	1.5kV	$R_p=10\Omega$	$I_{pp}=30A$	360	V
		1.2/50 μ s	1.5kV	$R_p=10\Omega$	$I_{pp}=30A$	360	
		2/10 μ s	2.5kV	$R_p=62\Omega$	$I_{pp}=38A$	400	

1. See test circuit 3 for V_{BO} dynamic parameters; R_p is the protection resistor located on the line card.

Figure 4. Test circuit 1 for I_{BO} and V_{BO} parameters

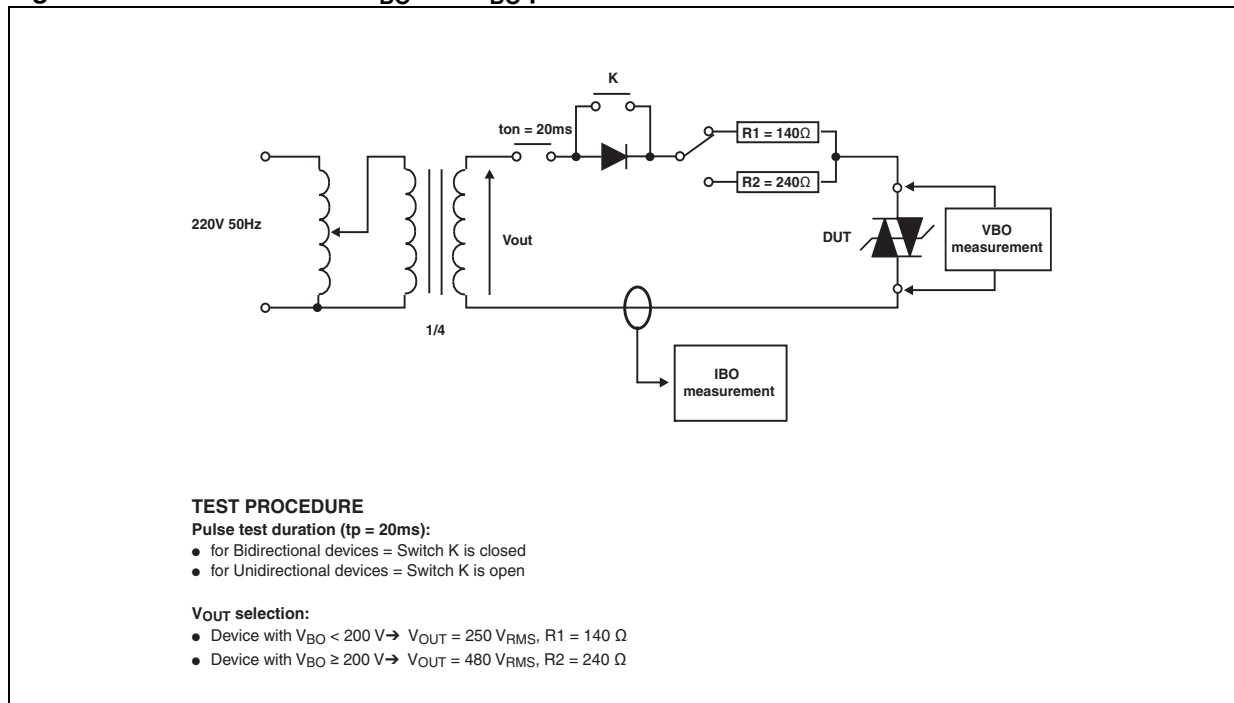


Figure 5. Test circuit 2 for I_H parameter

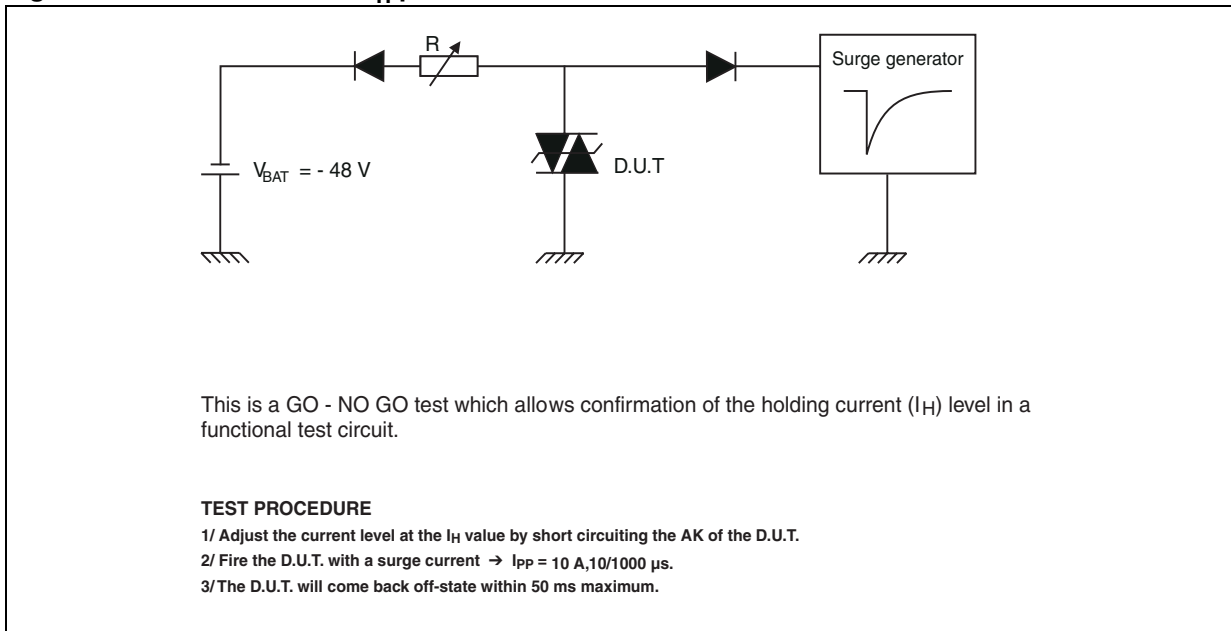


Figure 6. Test circuit 3 for V_{BO} parameters

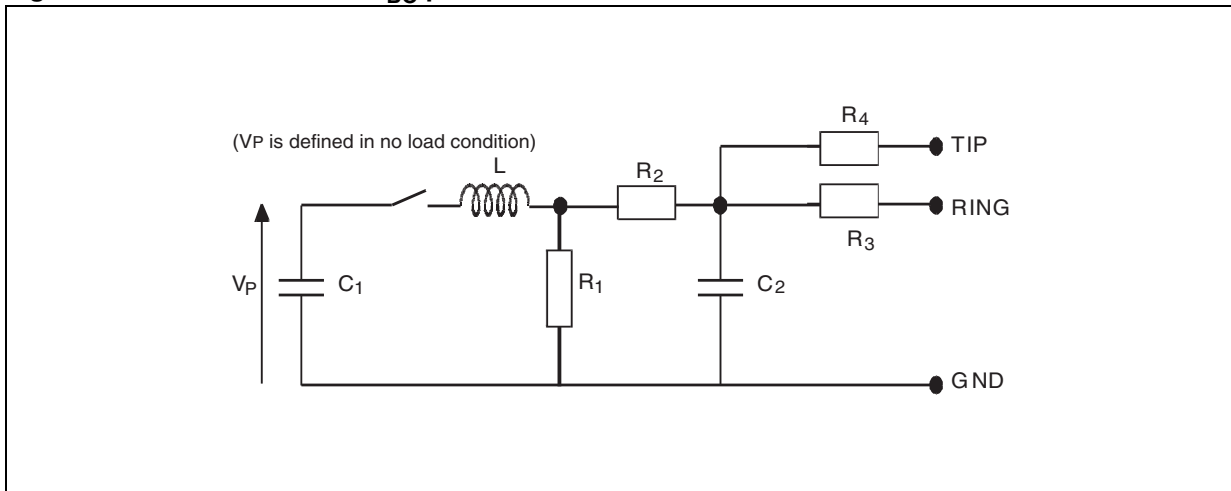
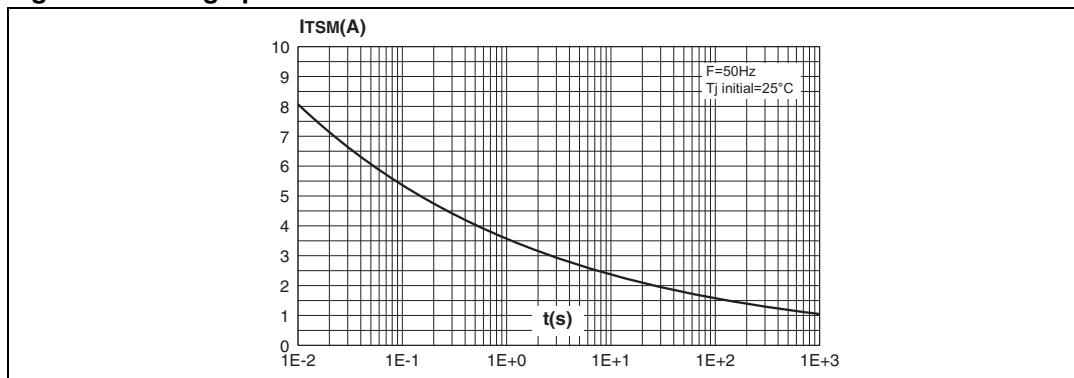


Table 6. Parameters for selected pulse characteristics

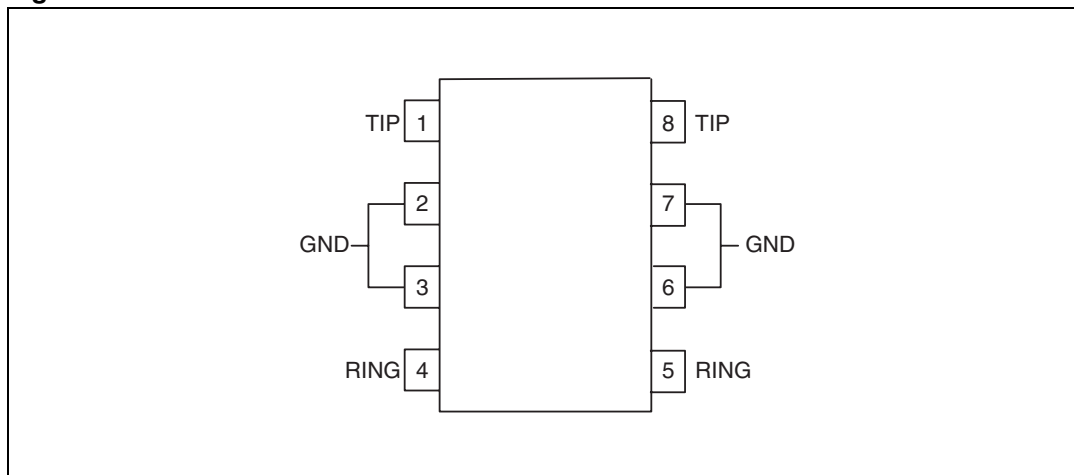
Pulse (μs)		V_p (V)	C_1 (μF)	C_2 (nF)	L (μH)	R_1 (Ω)	R_2 (Ω)	R_3 (Ω)	R_4 (Ω)	I_{PP} (A)	R_p (Ω)
tr	tp										
10	700	1500	20	200	0	50	15	25	25	30	10
1.2	50	1500	1	33	0	76	13	25	25	30	10
2	10	2500	10	0	1.1	1.3	0	3	3	38	62

Figure 7. Surge peak current versus overload duration



2 Application information

Figure 8. Device connections



1. Connect pins 2, 3, 6 and 7 to Ground to guarantee a good surge current capability for long duration disturbances.
2. To take advantage of the "4-point" structure of the THBT, the TIP and RING lines have to cross the device. In this case, the device will eliminate the overvoltages generated by the parasitic inductances of the wiring (Ldi/dt), especially for very fast transients.

2.1 Application circuits

Figure 9. Line card protection

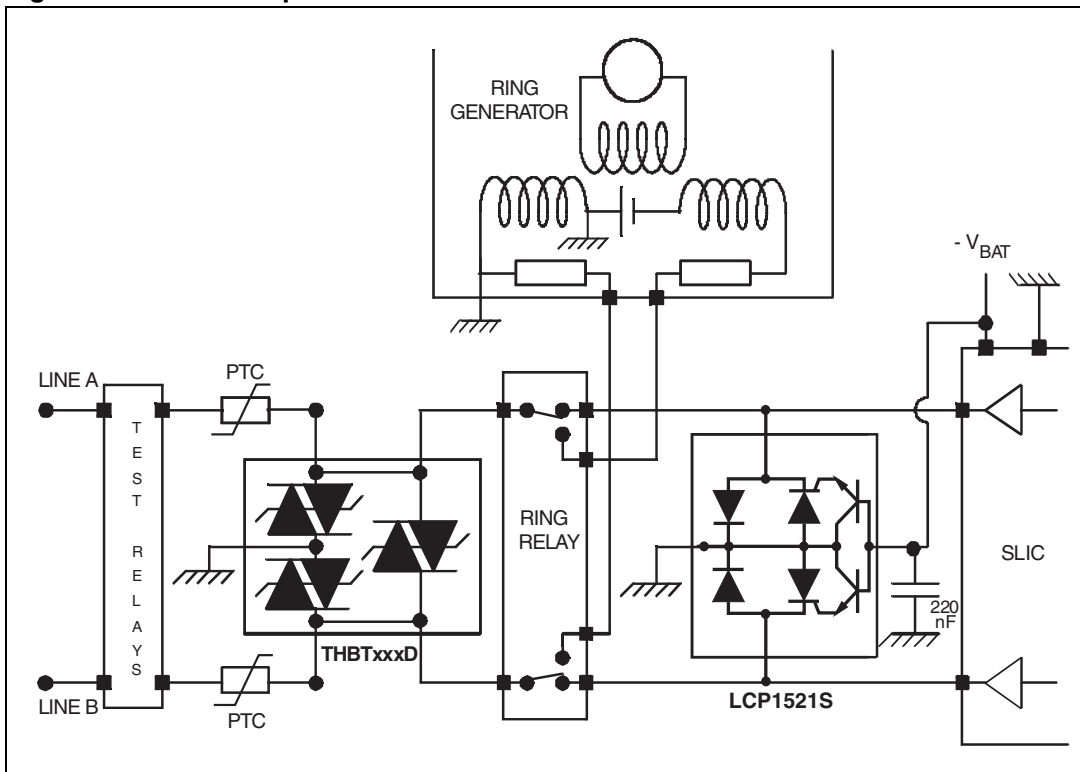
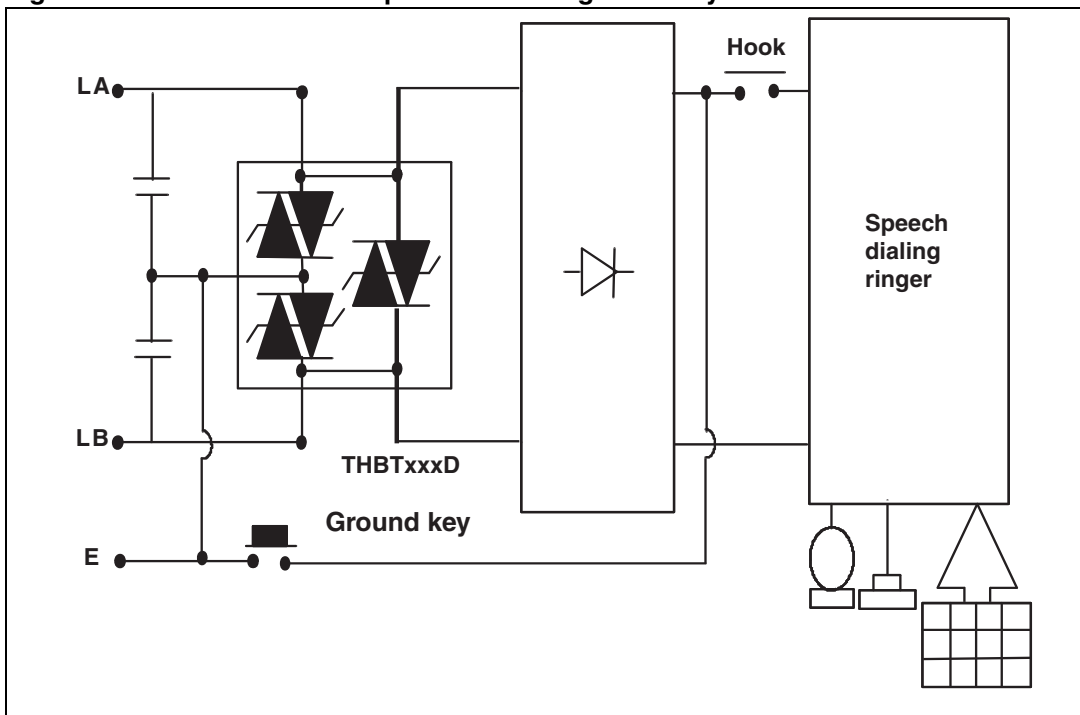


Figure 10. Protection for telephone set with ground key



3 Package information

- Epoxy meets UL94, V0

In order to meet environmental requirements, ST offers these devices in ECOPACK® packages. These packages have a lead-free second level interconnect. The category of second level interconnect is marked on the package and on the inner box label, in compliance with JEDEC Standard JESD97. The maximum ratings related to soldering conditions are also marked on the inner box label. ECOPACK is an ST trademark. ECOPACK specifications are available at www.st.com.

Table 7. SO-8 dimensions

Ref.	Dimensions					
	Millimeters			Inches		
	Min.	Typ.	Max.	Min.	Typ.	Max.
A			1.75			0.069
A1	0.1		0.25	0.004		0.010
A2	1.25			0.049		
b	0.28		0.48	0.011		0.019
C	0.17		0.23	0.007		0.009
D	4.80	4.90	5.00	0.189	0.193	0.197
E	5.80	6.00	6.20	0.228	0.236	0.244
E1	3.80	3.90	4.00	0.150	0.154	0.157
e		1.27			0.050	
h	0.25		0.50	0.010		0.020
L	0.40		1.27	0.016		0.050
L1		1.04			0.041	
k	0°		8°	0°		8°
ppp			0.10			0.004

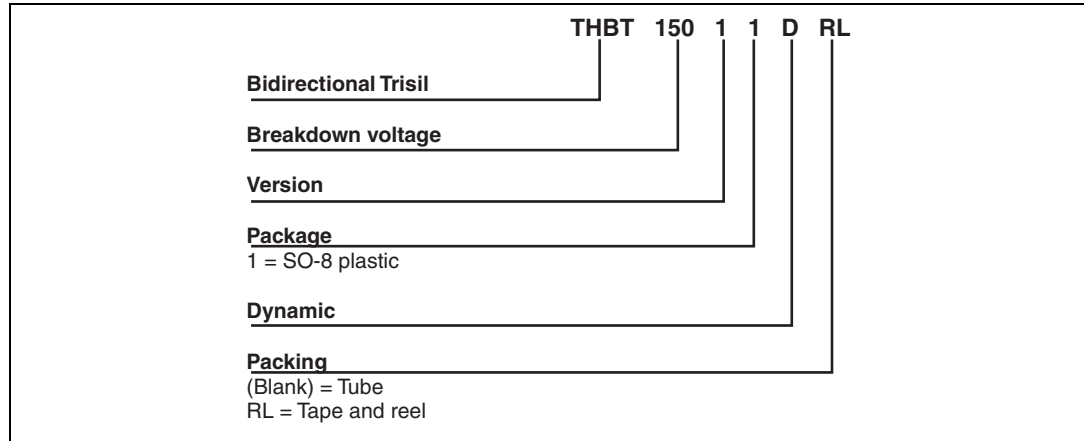
Figure 11. Footprint dimensions in mm (inches)

Figure 12. Marking

XXXXX : Marking
ZZ : Manufacturing location
Y : Year
WW : week

4 Ordering information scheme

Figure 13. Ordering information scheme



5 Ordering information

Table 8. Ordering information

Order code	Marking	Package	Weight
THBT15011D	BT151D	SO-8	0.077 g
THBT20011D	BT201D		
THBT27011D	BT271D		

6 Revision history

Table 9. Document revision history

Date	Revision	Changes
Oct-2003	7A	Previous release
19-Feb-2008	8	Reformatted to current standards. Removed THBT16011D from Table 4 and Table 8 . Updated Figure 4 , Figure 5 , and Figure 9 . Added ECOPACK paragraph in Section 3 . Added Figure 12: Marking .

Please Read Carefully:

Information in this document is provided solely in connection with ST products. STMicroelectronics NV and its subsidiaries ("ST") reserve the right to make changes, corrections, modifications or improvements, to this document, and the products and services described herein at any time, without notice.

All ST products are sold pursuant to ST's terms and conditions of sale.

Purchasers are solely responsible for the choice, selection and use of the ST products and services described herein, and ST assumes no liability whatsoever relating to the choice, selection or use of the ST products and services described herein.

No license, express or implied, by estoppel or otherwise, to any intellectual property rights is granted under this document. If any part of this document refers to any third party products or services it shall not be deemed a license grant by ST for the use of such third party products or services, or any intellectual property contained therein or considered as a warranty covering the use in any manner whatsoever of such third party products or services or any intellectual property contained therein.

UNLESS OTHERWISE SET FORTH IN ST'S TERMS AND CONDITIONS OF SALE ST DISCLAIMS ANY EXPRESS OR IMPLIED WARRANTY WITH RESPECT TO THE USE AND/OR SALE OF ST PRODUCTS INCLUDING WITHOUT LIMITATION IMPLIED WARRANTIES OF MERCHANTABILITY, FITNESS FOR A PARTICULAR PURPOSE (AND THEIR EQUIVALENTS UNDER THE LAWS OF ANY JURISDICTION), OR INFRINGEMENT OF ANY PATENT, COPYRIGHT OR OTHER INTELLECTUAL PROPERTY RIGHT.

UNLESS EXPRESSLY APPROVED IN WRITING BY AN AUTHORIZED ST REPRESENTATIVE, ST PRODUCTS ARE NOT RECOMMENDED, AUTHORIZED OR WARRANTED FOR USE IN MILITARY, AIR CRAFT, SPACE, LIFE SAVING, OR LIFE SUSTAINING APPLICATIONS, NOR IN PRODUCTS OR SYSTEMS WHERE FAILURE OR MALFUNCTION MAY RESULT IN PERSONAL INJURY, DEATH, OR SEVERE PROPERTY OR ENVIRONMENTAL DAMAGE. ST PRODUCTS WHICH ARE NOT SPECIFIED AS "AUTOMOTIVE GRADE" MAY ONLY BE USED IN AUTOMOTIVE APPLICATIONS AT USER'S OWN RISK.

Resale of ST products with provisions different from the statements and/or technical features set forth in this document shall immediately void any warranty granted by ST for the ST product or service described herein and shall not create or extend in any manner whatsoever, any liability of ST.

ST and the ST logo are trademarks or registered trademarks of ST in various countries.

Information in this document supersedes and replaces all information previously supplied.

The ST logo is a registered trademark of STMicroelectronics. All other names are the property of their respective owners.

© 2008 STMicroelectronics - All rights reserved

STMicroelectronics group of companies

Australia - Belgium - Brazil - Canada - China - Czech Republic - Finland - France - Germany - Hong Kong - India - Israel - Italy - Japan - Malaysia - Malta - Morocco - Singapore - Spain - Sweden - Switzerland - United Kingdom - United States of America

www.st.com